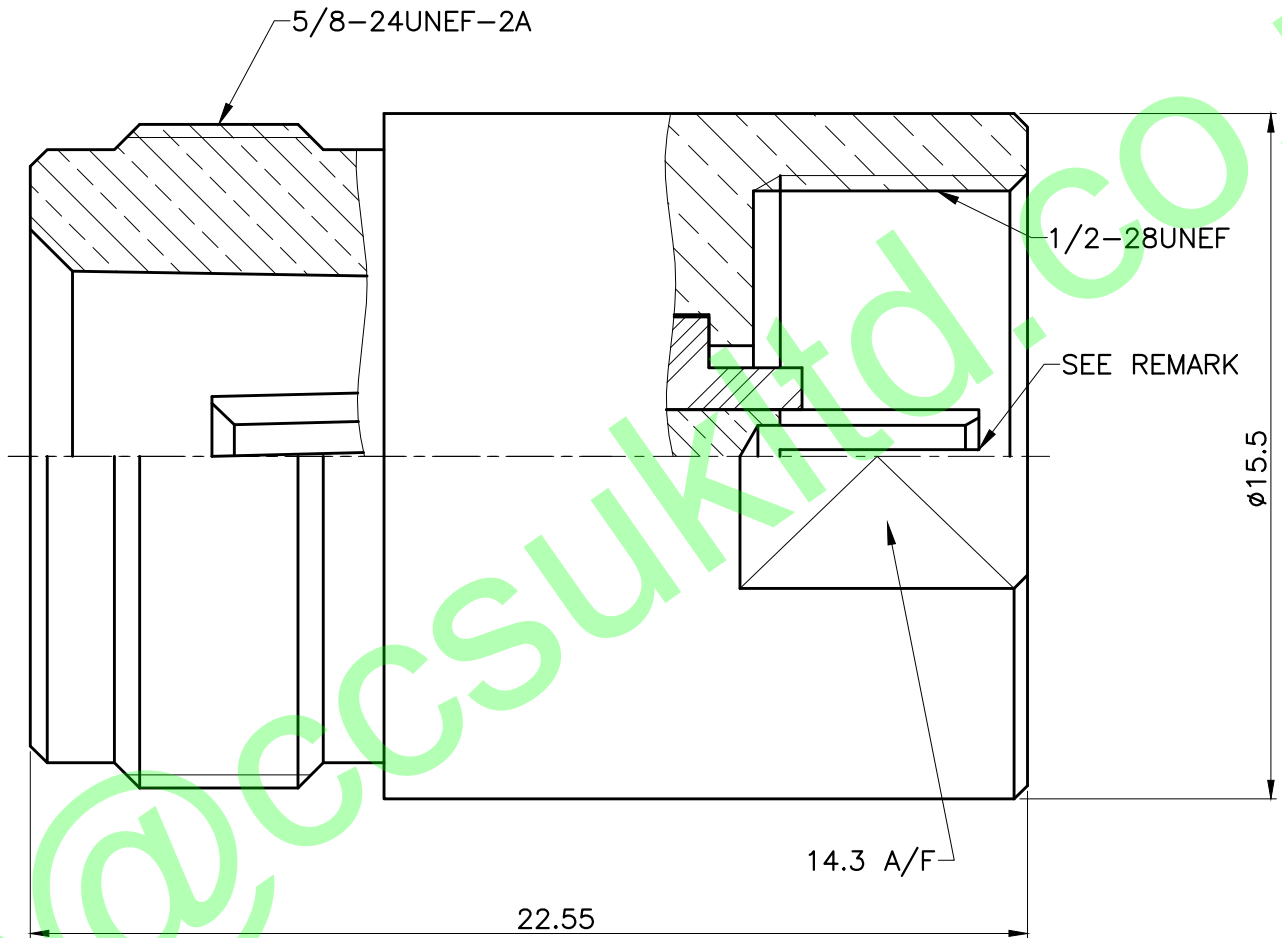


REVISIONS	
ISS	DESCRIPTION\DATE

RoHS COMPLIANT



CONNECTORS CABLES



SPECIALISTS LTD.

REMARK: ACCEPT $\phi 1.32 \sim \phi 1.37$ PIN

TITLE: N FEMALE		APRD:	UNLESS OTHERWISE SPECIFIED TOLERANCES 0.5-6 = ± 0.2 >6-30 = ± 0.4 >30-120 = ± 0.6 >120-315 = ± 1 >315-1000 = ± 1.6 ANGLES = $\pm 5^\circ$				
PART NO: .		CHKD:					
DRAWING NO: .		DR:					
	CCS-GE502	DATE: 10/06/15"	UNIT: mm		CONTACT PIN	BRASS	GOLD
	032	SHEET: .	SCALE: 6/1		INSULATOR	TEFLON	WHITE
					BODY	BRASS	GOLD
					NO. DESCRIPTION	MATERIAL	FINISH